

Pressure gauge

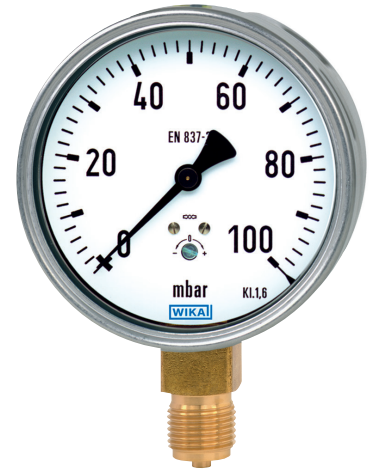
low pressure design serie 2060

case dim 100 mm

E 02.16.03

Ed.22.02

Application	Industrial pressure gauge for low pressure. Suitable for media that will not obstruct the pressure system or attack copper alloy parts.
Design	EN 837-3
Type	Serie 2060
WIKA type no	612.20
Case size	Nominal size dim 100 mm
Accuracy	Class 1,6%
Case	Stainless steel with bayonet ring
Window	Instrument glass
Pressure element	Copper alloy
Movement	Copper alloy
Pressure unit	mbar, mmvp, mmvp/Pa, Pa, kPa, psi, mmHg
Dial	Aluminium, white with black lettering
Pressure connection	G3/8", G1/2" or 1/2"NPT male
Zero adjustment	Zero adjustment through window
Mounting	Lower or back mount, also with back flange, front flange or triangular bezel with clamp
Ingress protection	IP 54 acc.to EN 60529/IEC 529
Lowest pressure range	10 mbar
Pressure limitation	Full scale value by steady pressure 90% of full scale value by fluctuating pressure
Permissible temperature	Medium temperature max -40 till +100°C With back connection max +80°C Ambient temperature max -40 till +60°C
Certificates	Certificate EN 10204 can be delivered as options Test report wetted parts EN 10204-2.2 Inspection certificate wetted parts EN 10204-3.1 Calibration certificate with 5 measuring points Calibration certificate EN 10204-3.1 or DKD-calibration
Production options	Design Degreased for oxygen services Dial with colored sectors or with customer logo



2060
Lower mount



2061
Back mount



2065
Lower mount
back flange



2067
Back mount
front flange



2068
Back mount
bezel and clamp



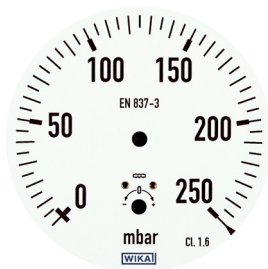
2069
Lower mount
front flange

Pressure gauge

low pressure design serie 2060

case dim 100 mm

E 02.16.03



Pressure range	Interval	Divisions
0-10 mbar	0,2	50
0-16 mbar	0,5	32
0-25 mbar	0,5	50
0-40 mbar	1,0	40
0-60 mbar	1,0	60
0-100 mbar	2,0	50
0-160 mbar	5,0	32
0-250 mbar	5,0	50
0-400 mbar	10,0	40
-10/0 mbar	0,2	50
-16/0 mbar	0,5	32
-25/0 mbar	0,5	50
-40/0 mbar	1,0	40
-60/0 mbar	1,0	60
-100/0 mbar	2,0	50
-160/0 mbar	5,0	32
-250/0 mbar	5,0	50
-400/0 mbar	10,0	40

Accuracy

Max permissible error 1,6%

The accuracy is expressed as a percentage of full scale range. Permissible error 1,6% will cover 0% till 100% of scale range with a reference temperature of +20°C.

Ex. Pressure range 0-10 bar has an error of $\pm 1,6$ mbar

Temperature effect

Temperature of the measuring system over or under the reference temperature +20°C will effect the accuracy with 0,4 percentage per +10°C. With a medium temperature of +40°C the accuracy will be $\pm 2,8\%$.

Unit mbar

Low pressure in mbar

10 mbar = 0,01 bar

10 mbar = 100 mmvp

10 mbar = 1000 Pa = 1 kPa

10 mbar = 0,145 psi

Alternative design

Overpressure and vaccum safe

10 times overpressure safe from range 0-40 mbar

3 times overpressure safe in ranges < 0-40 mbar

10 times vacuum safe from range 0-40 mbar

3 times vacuum safe in ranges < 0-40 mbar

Stainless steel design

Pressure gauge in stainless steel version.

Suitable for aggressive media and environments

Type 2860 datasheet E02.07.01

Test gauge

Pressure gauge for testing and calibration 0,6%

Type 612.20 datasheet PM 06.09

With electrical contact

One or two electrical contact mounted in the case

Max- and/or minfunction







Type PGS43 datasheet PV 24.03

Pressure gauge

low pressure design serie 2060

case dim 100 mm

E 02.16.03







Code number case dim 100 mm connection G3/8							
		2060	2061	2065	2067	2068	2069
Conn.	Range	Lower	Back	Back flange	Front flange	Clamp	Front flange
G3/8	0-10 mbar	20603619	20613619	20653619	20673619	20683619	20693619
G3/8	0-16 mbar	20603620	20613620	20653620	20673620	20683620	20693620
G3/8	0-25 mbar	20603622	20613622	20653622	20673622	20683622	20693622
G3/8	0-40 mbar	20603624	20613624	20653624	20673624	20683624	20693624
G3/8	0-60 mbar	20603625	20613625	20653625	20673625	20683625	20693625
G3/8	0-100 mbar	20603626	20613626	20653626	20673626	20683626	20693626
G3/8	0-160 mbar	20603627	20613627	20653627	20673627	20683627	20693627
G3/8	0-250 mbar	20603628	20613628	20653628	20673628	20683628	20693628
G3/8	0-400 mbar	20603629	20613629	20653629	20673629	20683629	20693629
G3/8	-10/0 mbar	20603652	20613652	20653652	20673652	20683652	20693652
G3/8	-16/0 mbar	20603653	20613653	20653653	20673653	20683653	20693653
G3/8	-25/0 mbar	20603654	20613654	20653654	20673654	20683654	20693654
G3/8	-40/0 mbar	20603655	20613655	20653655	20673655	20683655	20693655
G3/8	-60/0 mbar	20603656	20613656	20653656	20673656	20683656	20693656
G3/8	-100/0 mbar	20603657	20613657	20653657	20673657	20683657	20693657
G3/8	-160/0 mbar	20603658	20613658	20653658	20673658	20683658	20693658
G3/8	-250/0 mbar	20603659	20613659	20653659	20673659	20683659	20603659
G3/8	-400/0 mbar	20603660	20613660	20653660	20673660	20683660	20693660
G3/8	-10+15 mbar	20603672	20613672	20653672	20673672	20683672	20693672
G3/8	-10+30 mbar	20603673	20613673	20653673	20673673	20683673	20693673
G3/8	-10+60 mbar	20603688	20613688	20653688	20673688	20683688	20693688
G3/8	-20+20 mbar	20603674	20613674	20653674	20673674	20683674	20693674
G3/8	-20+40 mbar	20603675	20613675	20653675	20673675	20683675	20693675
G3/8	-20+80 mbar	20603687	20613687	20653687	20673687	20683687	20693687
G3/8	-30+30 mbar	20603676	20613676	20653676	20673676	20683676	20693676
G3/8	-40+20 mbar	20603677	20613677	20653677	20673677	20683677	20693677
G3/8	-40+40 mbar	20603689	20613689	20653689	20673689	20683689	20693689
G3/8	-50+350 mbar	20603680	20613680	20653680	20673680	20683680	20693680
G3/8	-60+100 mbar	20603677	20613677	20653677	20673677	20683677	20693677
G3/8	-100+300 mbar	20603685	20613685	20653685	20673685	20683685	20693685
G3/8	-150+250 mbar	20603681	20613681	20653681	20673681	20683681	20693681
G3/8	-200+200 mbar	20603682	20613682	20653682	20673682	20683682	20693682
G3/8	-250+150 mbar	20603678	20613678	20653678	20673678	20683678	20693678
G3/8	-250+250 mbar	20603679	20613679	20653679	20673679	20683679	20693679

Pressure gauge

low pressure design serie 2060

case dim 100 mm

E 02.16.03

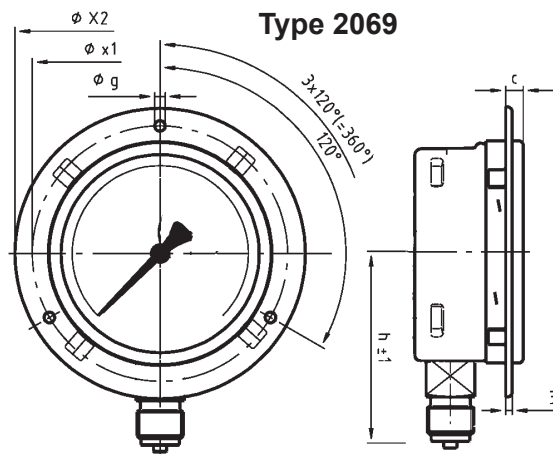
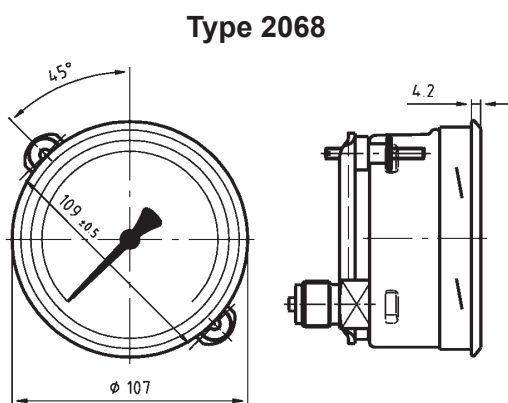
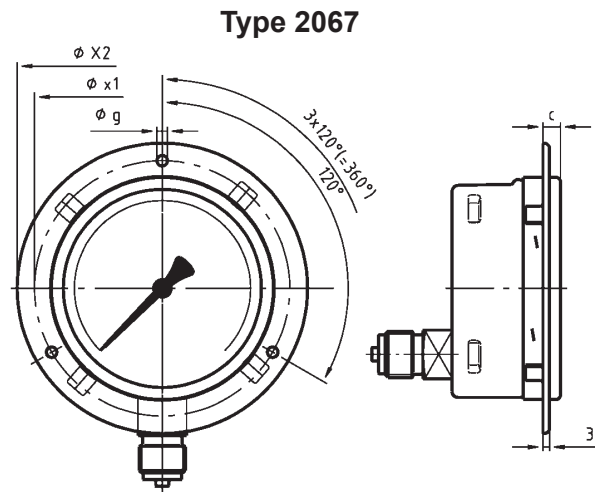
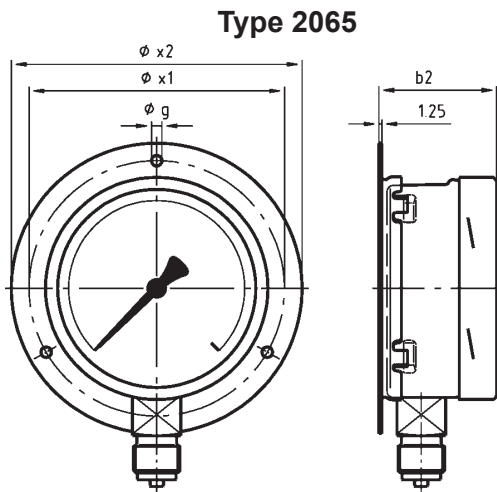
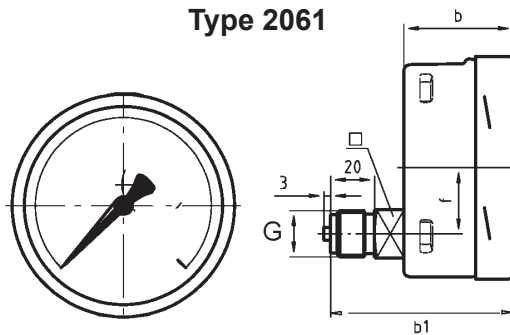
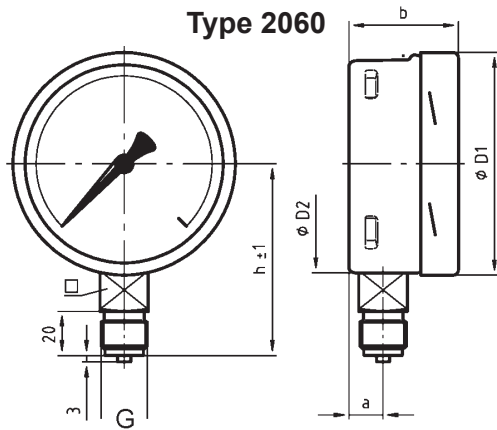
Code number case dim 100 mm connection G1/2							
		2060	2061	2065	2067	2068	2069
Conn.	Range	Lower	Back	Back flange	Front flange	Clamp	Front flange
G1/2	0-10 mbar	20603519	20613519	20653519	20673519	20683519	20693519
G1/2	0-16 mbar	20603520	20613520	20653520	20673520	20683520	20693520
G1/2	0-25 mbar	20603522	20613522	20653522	20673522	20683522	20693522
G1/2	0-40 mbar	20603524	20613524	20653524	20673524	20683524	20693524
G1/2	0-60 mbar	20603525	20613525	20653525	20673525	20683525	20693525
G1/2	0-100 mbar	20603526	20613526	20653526	20673526	20683526	20693526
G1/2	0-160 mbar	20603527	20613527	20653527	20673527	20683527	20693527
G1/2	0-250 mbar	20603528	20613528	20653528	20673528	20683528	20693528
G1/2	0-400 mbar	20603529	20613529	20653529	20673529	20683529	20693529
G1/2	-10/0 mbar	20603552	20613552	20653552	20673552	20683552	20693552
G1/2	-16/0 mbar	20603553	20613553	20653553	20673553	20683553	20693553
G1/2	-25/0 mbar	20603554	20613554	20653554	20673554	20683554	20693554
G1/2	-40/0 mbar	20603555	20613555	20653555	20673555	20683555	20693555
G1/2	-60/0 mbar	20603556	20613556	20653556	20673556	20683556	20693556
G1/2	-100/0 mbar	20603557	20613557	20653557	20673557	20683557	20693557
G1/2	-160/0 mbar	20603558	20613558	20653558	20673558	20683558	20693558
G1/2	-250/0 mbar	20603559	20613559	20653559	20673559	20683559	20603559
G1/2	-400/0 mbar	20603560	20613560	20653560	20673560	20683560	20693560
G1/2	-10+15 mbar	20603572	20613572	20653572	20673572	20683572	20693572
G1/2	-10+30 mbar	20603573	20613573	20653573	20673573	20683573	20693573
G1/2	-10+60 mbar	20603588	20613588	20653588	20673588	20683588	20693588
G1/2	-20+20 mbar	20603574	20613574	20653574	20673574	20683574	20693574
G1/2	-20+40 mbar	20603575	20613575	20653575	20673575	20683575	20693575
G1/2	-20+80 mbar	20603587	20613587	20653587	20673587	20683587	20693587
G1/2	-30+30 mbar	20603576	20613576	20653576	20673576	20683576	20693576
G1/2	-40+20 mbar	20603577	20613577	20653577	20673577	20683577	20693577
G1/2	-40+40 mbar	20603589	20613589	20653589	20673589	20683589	20693589
G1/2	-50+350 mbar	20603580	20613580	20653580	20673580	20683580	20693580
G1/2	-60+100 mbar	20603577	20613577	20653577	20673577	20683577	20693577
G1/2	-100+300 mbar	20603585	20613585	20653585	20673585	20683585	20693585
G1/2	-150+250 mbar	20603581	20613581	20653581	20673581	20683581	20693681
G1/2	-200+200 mbar	20603582	20613582	20653582	20673582	20683582	20693582
G1/2	-250+150 mbar	20603578	20613578	20653578	20673578	20683578	20693578
G1/2	-250+250 mbar	20603579	20613579	20653579	20673579	20683579	20693579

Pressure gauge

low pressure design serie 2060

case dim 100 mm

E 02.16.03



Dim ϕ	a	b	b ₁	b ₂	D ₁	D ₂	x1	x2	g	h±1	f	c	kg	G
100	15,5	49,5	83	53,5	101	99	116	132	4,8	87	30	8	0,6	G3/8-G1/2